

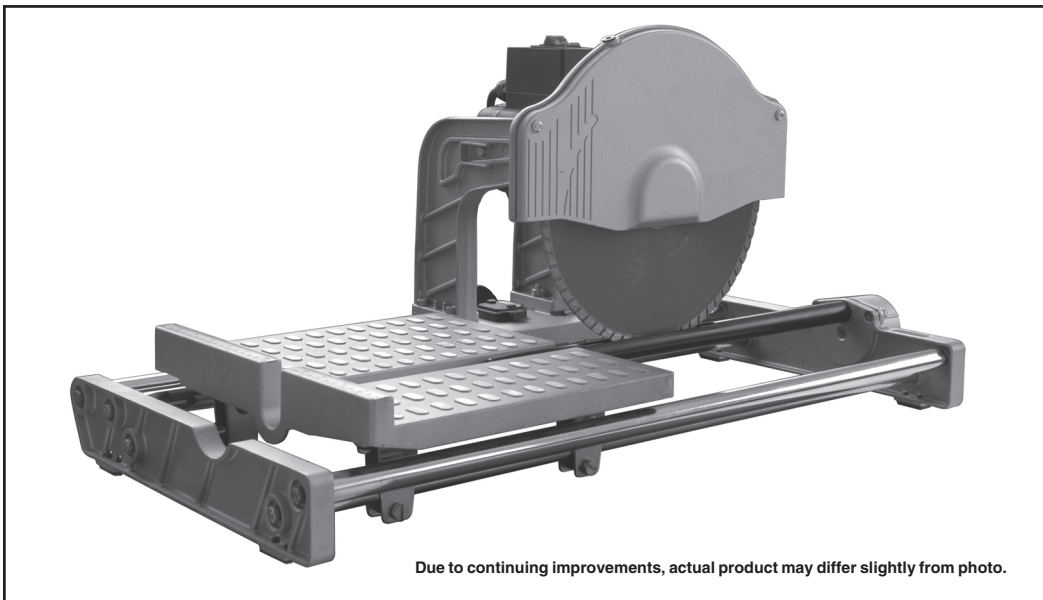
CHICAGO

Electric[®] Power Tools

10" PORTABLE BRICK/PAVER SAW

Model 93218

ASSEMBLY AND OPERATING INSTRUCTIONS



3491 Mission Oaks Blvd., Camarillo, CA 93011
Visit our Web site at: <http://www.harborfreight.com>

**TO PREVENT SERIOUS INJURY,
READ AND UNDERSTAND ALL WARNINGS
AND INSTRUCTIONS BEFORE USE.**

Copyright © 2005 by Harbor Freight Tools[®]. All rights reserved. No portion of this manual or any artwork contained herein may be reproduced in any shape or form without the express written consent of Harbor Freight Tools.

For technical questions, please call 1-800-444-3353.

Revised Cover page 04/06

PRODUCT SPECIFICATIONS

Item	Description
Electrical Requirements (Saw)	120 Volt AC / 60 Hz / 9.2 No Load AMPs / 1.5 HP / 5200 RPM Power Switch Type: 2 Push Buttons (ON & OFF) Power Cord: 76" Long / 16AWG x 2C Power Cord Plug Type: 2 Prong Polarized
Blade Size/Type	10" Diameter / Diamond (Included)
Blade Arbor Diameter	7/8"
Cutting Length	12"
Cutting Depth	3.5"
Table Travel	16-1/4"
Overall Dimensions	28" L x 14-1/2" W x 14 H
Unit Weight	28 Pounds

SAVE THIS MANUAL

You will need this manual for the safety warnings and precautions, assembly, operating, inspection, maintenance and cleaning procedures, parts list and assembly diagram. Keep your invoice with this manual. Write the invoice number on the inside of the front cover. Keep this manual and invoice in a safe and dry place for future reference.

GENERAL SAFETY RULES



WARNING!

READ AND UNDERSTAND ALL INSTRUCTIONS
Failure to follow all instructions listed below may result in electric shock, fire, and/or serious injury.
SAVE THESE INSTRUCTIONS

WORK AREA

1. **Keep your work area clean and well lit.** Cluttered benches and dark areas invite accidents.
2. **Do not operate power tools in explosive atmospheres, such as in the presence of flammable liquids, gases, or dust.** Power tools create sparks which may ignite the dust or fumes.
3. **Keep bystanders, children, and visitors away while operating a power tool.** Distractions can cause you to lose control. Protect others in the work area from debris such as chips and sparks. Provide barriers or shields as needed.

ELECTRICAL SAFETY

4. **Grounded tools must be plugged into an outlet properly installed and grounded in accordance with all codes and ordinances. Never remove the grounding prong or modify the plug in any way. Do not use any adapter plugs. Check with a qualified electrician if you are in doubt as to whether the outlet is properly grounded.** If the tools should electrically malfunction or break down, grounding provides a low resistance path to carry electricity away from the user.
5. **Double insulated tools are equipped with a polarized plug (one blade is wider than the other). This plug will fit in a polarized outlet only one way. If the plug does not fit fully in the outlet, reverse the plug. If it still does not fit, contact a qualified electrician to install a polarized outlet. Do not change the plug in any way.** Double insulation eliminates the need for the three wire grounded power cord and grounded power supply system.
6. **Avoid body contact with grounded surfaces such as pipes, radiators, ranges, and refrigerators.** There is an increased risk of electric shock if your body is grounded.
7. **Do not expose power tools to rain or wet conditions.** Water entering a power tool will increase the risk of electric shock.
8. **Do not abuse the Power Cord. Never use the Power Cord to carry the tools or pull the Plug from an outlet. Keep the Power Cord away from heat, oil, sharp edges, or moving parts. Replace damaged Power Cords immediately.** Damaged Power Cords increase the risk of electric shock.
9. **When operating a power tool outside, use an outdoor extension cord marked “W-A” or “W”.** These extension cords are rated for outdoor use, and reduce the risk of electric shock.

PERSONAL SAFETY

10. **Stay alert. Watch what you are doing, and use common sense when operating a power tool. Do not use a power tool while tired or under the influence of drugs, alcohol, or medication.** A moment of inattention while operating power tools may result in serious personal injury.
11. **Dress properly. Do not wear loose clothing or jewelry. Contain long hair. Keep your hair, clothing, and gloves away from moving parts.** Loose clothes, jewelry, or long hair can be caught in moving parts.

12. **Avoid accidental starting. Be sure the Power Switch is off before plugging in.** Carrying power tools with your finger on the Power Switch, or plugging in power tools with the Power Switch on, invites accidents.
13. **Remove adjusting keys or wrenches before turning the power tool on.** A wrench or a key that is left attached to a rotating part of the power tool may result in personal injury.
14. **Do not overreach. Keep proper footing and balance at all times.** Proper footing and balance enables better control of the power tool in unexpected situations.
15. **Use safety equipment. Always wear eye protection.** Dust mask, nonskid safety shoes, hard hat, or hearing protection must be used for appropriate conditions.

TOOL USE AND CARE


16. **Use clamps (not included) or other practical ways to secure and support the workpiece to a stable platform.** Holding the work by hand or against your body is unstable and may lead to loss of control.
17. **Do not force the tool. Use the correct tool for your application.** The correct tool will do the job better and safer at the rate for which it is designed.
18. **Do not use the power tool if the Power Switch does not turn it on or off.** Any tool that cannot be controlled with the Power Switch is dangerous and must be replaced.
19. **Disconnect the Power Cord Plug from the power source before making any adjustments, changing accessories, or storing the tool.** Such preventive safety measures reduce the risk of starting the tool accidentally.
20. **Store idle tools out of reach of children and other untrained persons.** Tools are dangerous in the hands of untrained users.
21. **Maintain tools with care. Keep cutting tools sharp and clean.** Properly maintained tools with a sharp cutting edge are less likely to bind and are easier to control. Do not use a damaged tool. Tag damaged tools "Do not use" until repaired.
22. **Check for misalignment or binding of moving parts, breakage of parts, and any other condition that may affect the tool's operation. If damaged, have the tool serviced before using.** Many accidents are caused by poorly maintained tools.

23. **Use only accessories that are recommended by the manufacturer for your model.** Accessories that may be suitable for one tool may become hazardous when used on another tool.




SERVICE

24. **Tool service must be performed only by qualified repair personnel.** Service or maintenance performed by unqualified personnel could result in a risk of injury.
25. **When servicing a tool, use only identical replacement parts. Follow instructions in the “*Inspection, Maintenance, And Cleaning*” section of this manual.** Use of unauthorized parts or failure to follow maintenance instructions may create a risk of electric shock or injury.

SPECIFIC SAFETY RULES

1. **Maintain labels and nameplates on the Masonry Saw.** These carry important information. If unreadable or missing, contact Harbor Freight Tools for a replacement.
2. **Use the right product for the job.** There are certain applications for which this product was designed. Do not use small equipment, tools, or attachments to do the work of larger industrial equipment, tools, or attachments. Do not use this product for a purpose for which it was not intended.
3. **Make sure the Blade Cover is always securely in place.** Never operate the Brick Saw without the Blade Cover. Make sure the Blade Cover does not touch the Saw Blade or any other part of the Saw.
4. **Always wear safety impact eye goggles and heavy work gloves when using the Masonry Saw.** Using personal safety devices reduce the risk for injury.
5. **Maintain a safe working environment.** Keep the work area well lit. Make sure there is adequate surrounding workspace. Always keep the work area free of obstructions, grease, oil, trash, and other debris. Do not use a power tool in areas near flammable chemicals, dusts, and vapors. Do not use this product in a damp or wet location.
6. **Avoid unintentional starting.** Make sure you are prepared to begin work before turning on the Masonry Saw.
7. **Do not force the Masonry Saw.** This tool will do the work better and safer at the speed and capacity for which it was designed.
8.  **WARNING! Keep hands and fingers away from cutting area and Saw Blade.** Use a “push stick” (not included) if necessary.

9. **Never leave the Masonry Saw unattended when it is plugged into an electrical outlet.** Turn off the tool, and unplug it from its electrical outlet before leaving.
10. **Do not use carbide-tipped saw blades, wood saw blades, or any kind of saw blade except a diamond-tipped saw blade.** Do not cut dry with saw blades marked "Use Wet".
11. **Always use saw blades with a 10" diameter, 7/8" round arbor hole, and rated at 5200 RPM or greater.** Saw Blades that do not match the mounting hardware of the Masonry Saw or that are rated less than the required minimum RPM will run eccentrically causing loss of control or may fly off the Saw.
12. **Do not handle the Power Switch with wet hands.**
13. **Make sure the Masonry Saw is located on a flat, level, sturdy surface capable of supporting the weight of the Saw and workpieces.**
14. **Use the Masonry Saw only for cutting cinder block, slump stone block, wall brick, paver brick, concrete block and cylinders, roofing tile, marble, granite, decorative rock or almost any other nonferrous material with a maximum thickness of 3-1/2".**
15. **Do not use the Masonry Saw for cutting metals or for cutting curves.** This will cause the Saw Blade to break and/or reduce its service life.
16. **Keep all electrical connections dry and off the ground.**
17. **Make sure the Table of the Masonry Saw and surrounding area are clear with the exception of the masonry to be cut.**
18. **Before using the Masonry Saw, check to make sure the Saw Blade is properly mounted on the Saw Spindle.** Make sure the Saw Blade is balanced, and is not cracked or bent.
19. **Industrial applications must follow OSHA guidelines.**
20. **Never stand on the Masonry Saw.** Serious injury could result if the Masonry Saw is tipped or if the rotating Saw Blade is accidentally contacted.
21. **Never attempt to cut more than one workpiece at a time.**
22. **Never attempt to cut freehand.** Make sure the masonry to be cut is pressed firmly against the Table.
23. **When cutting a large workpiece, make sure its entire length is properly supported.** If necessary, use a roller stand (not included).

24. **Allow the saw blade to spin up to full speed before feeding a workpiece into it.** When turning off the Masonry Saw, allow the saw blade to spin down and stop on its own. Do not press against the saw blade to stop it.
25. **To avoid accidental injury, always wear heavy duty work gloves when changing the Saw Blade.**
26. **The Saw Blade will become hot while cutting.** Allow the Saw Blade to completely cool before handling.
27. **Do not force the workpiece into the Saw Blade when cutting.** Apply moderate pressure, allowing the Saw Blade to cut without being forced.
28. **Turn off the Masonry Saw and allow the Saw Blade to completely stop if the Saw Blade is to be backed out of an uncompleted cut.**
29. **Never attempt to remove material stuck in the moving parts of the Masonry Saw while it is plugged in and running.**
30. **Always lock the Table in position before transporting the Masonry Saw.**
31. **Make sure the scrap masonry to be cut off has sufficient room to move sideways.** Failure to do so may result in off-cut binding against the Saw Blade.
32. **Always unplug the Masonry Saw from its electrical outlet before changing blades or accessories, or before performing any inspection, maintenance, or cleaning procedures.**
33.  **WARNING!** Some dust created by power sanding, sawing, grinding, drilling, and other construction activities, contain chemicals known (to the State of California) to cause cancer, birth defects or other reproductive harm. Some examples of these chemicals are: lead from lead-based paints, crystalline silica from bricks and cement or other masonry products, arsenic and chromium from chemically treated lumber. Your risk from these exposures varies, depending on how often you do this type of work. To reduce your exposure to these chemicals: work in a well ventilated area, and work with approved safety equipment, such as those dust masks that are specially designed to filter out microscopic particles. (California Health & Safety Code § 25249.5, *et seq.*)
34.  **WARNING!** People with pacemakers should consult their physician(s) before using this product. Operation of electrical equipment in close proximity to a heart pacemaker could cause interference to, or failure of the pacemaker.
35.  **WARNING!** The warnings and cautions discussed in this manual cannot cover all possible conditions and situations that may occur. It must be understood by the operator that common sense and caution are factors which cannot be built into this product, but must be supplied by the operator.

SAVE THESE INSTRUCTIONS

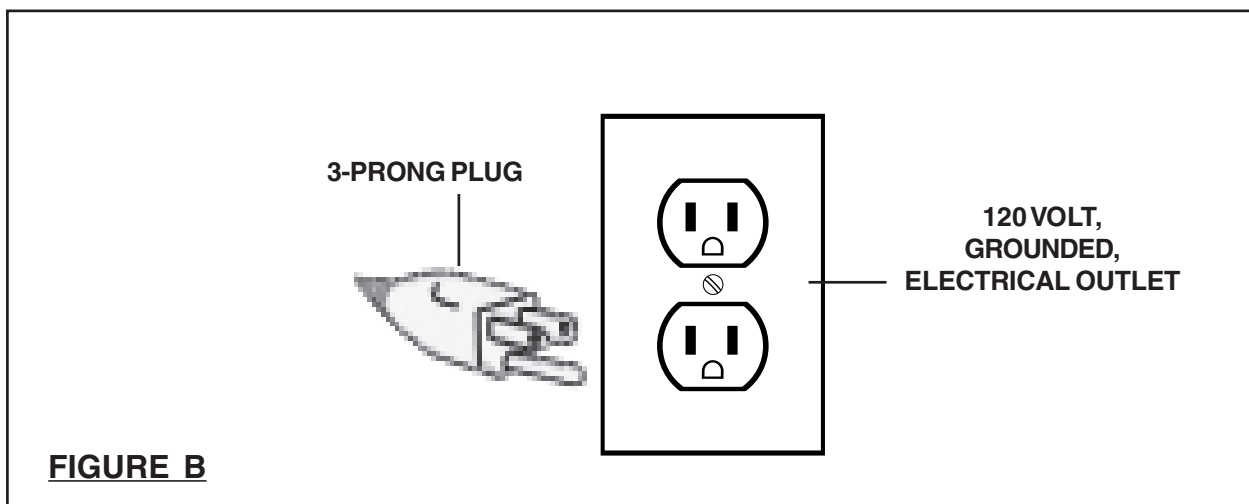
GROUNDING

WARNING!

Improperly connecting the grounding wire can result in the risk of electric shock. Check with a qualified electrician if you are in doubt as to whether the outlet is properly grounded. Do not modify the power cord plug provided with the tool. Never remove the grounding prong from the plug. Do not use the tool if the power cord or plug is damaged. If damaged, have it repaired by a service facility before use. If the plug will not fit the outlet, have a proper outlet installed by a qualified electrician.

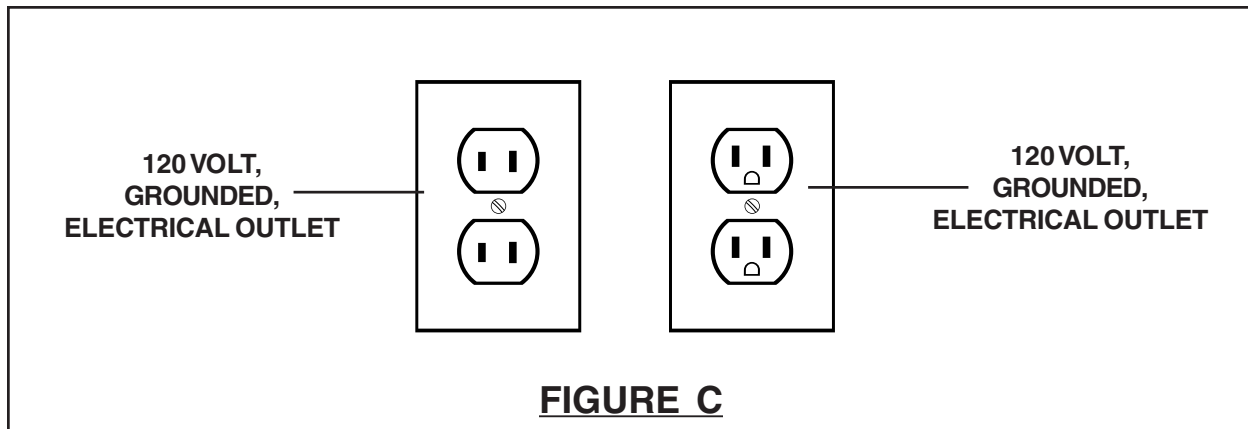
GROUNDING TOOLS: TOOLS WITH THREE PRONG PLUGS

1. Tools marked with “Grounding Required” have a three wire cord and three prong grounding plug. The plug must be connected to a properly grounded outlet. If the tool should electrically malfunction or break down, grounding provides a low resistance path to carry electricity away from the user, reducing the risk of electric shock. **(See Figure B.)**
2. The grounding prong in the plug is connected through the green wire inside the cord to the grounding system in the tool. The green wire in the cord must be the only wire connected to the tool’s grounding system and must never be attached to an electrically “live” terminal. **(See Figure B.)**
3. Your tool must be plugged into an appropriate outlet, properly installed and grounded in accordance with all codes and ordinances. The plug and outlet should look like those in the following illustration. **(See Figure B.)**



DOUBLE INSULATED TOOLS: TOOLS WITH TWO PRONG PLUGS

4. Tools marked “Double Insulated” do not require grounding. They have a special double insulation system which satisfies OSHA requirements and complies with the applicable standards of Underwriters Laboratories, Inc., the Canadian Standard Association, and the National Electrical Code. **(See Figure C.)**
5. Double insulated tools may be used in either of the 120 volt outlets shown in the following illustration. **(See Figure C.)**



EXTENSION CORDS

1. **Grounded** tools require a three wire extension cord. **Double Insulated** tools can use either a two or three wire extension cord.
2. As the distance from the supply outlet increases, you must use a heavier gauge extension cord. Using extension cords with inadequately sized wire causes a serious drop in voltage, resulting in loss of power and possible tool damage. **(See Figure D, next page.)**
3. The smaller the gauge number of the wire, the greater the capacity of the cord. For example, a 14 gauge cord can carry a higher current than a 16 gauge cord. **(See Figure D.)**
4. When using more than one extension cord to make up the total length, make sure each cord contains at least the minimum wire size required. **(See Figure D.)**
5. If you are using one extension cord for more than one tool, add the nameplate amperes and use the sum to determine the required minimum cord size. **(See Figure D.)**

6. If you are using an extension cord outdoors, make sure it is marked with the suffix “W-A” (“W” in Canada) to indicate it is acceptable for outdoor use.
7. Make sure your extension cord is properly wired and in good electrical condition. Always replace a damaged extension cord or have it repaired by a qualified electrician before using it.
8. Protect your extension cords from sharp objects, excessive heat, and damp or wet areas.

RECOMMENDED MINIMUM WIRE GAUGE FOR EXTENSION CORDS* (120 VOLT)					
NAMEPLATE AMPERES (At Full Load)	EXTENSION CORD LENGTH				
	25 Feet	50 Feet	75 Feet	100 Feet	150 Feet
0 – 2.0	18	18	18	18	16
2.1 – 3.4	18	18	18	16	14
3.5 – 5.0	18	18	16	14	12
5.1 – 7.0	18	16	14	12	12
7.1 – 12.0	18	14	12	10	-
12.1 – 16.0	14	12	10	-	-
16.1 – 20.0	12	10	-	-	-

FIGURE D * Based on limiting the line voltage drop to five volts at 150% of the rated amperes.

SYMBOLOLOGY




	Double Insulated
	Canadian Standards Association
	Underwriters Laboratories, Inc.
V ~	Volts Alternating Current
A	Amperes
no xxxx /min.	No Load Revolutions per Minute (RPM)

FIGURE E

UNPACKING

When unpacking, check to make sure all the parts shown on the **Parts List on page 15** are included. If any parts are missing or broken, please call Harbor Freight Tools at the number shown on the cover of this manual as soon as possible.

ASSEMBLY INSTRUCTIONS

NOTE:

For additional information regarding the parts listed in the following pages, refer to the **Assembly Diagram on page 16**.

⚠ WARNING! Always make sure the Power Switch (20) of the Masonry Saw is in its “OFF” position and the tool is unplugged from its electrical outlet prior to assembling the tool, adding any accessories, or making adjustments to the tool.

To Install The Saw Blade:

1. Unscrew and remove the two Nuts (9). Then, remove the Front Blade Guard (11) to expose the Hex Set Screw (10), Inner Flange (18) and Motor Spindle. (See Figure F.)
2. Unscrew and remove the Hex Set Screw (10) and Outer Flange (12), and check to make sure the Inner Flange (18) is seated properly on the Motor Spindle. (See Figure F.)
3. Using heavy work gloves to prevent accidental cuts to the hands and fingers, insert the Saw Blade (15) onto the Motor Spindle. **IMPORTANT: Make sure the arrow on the Saw Blade points in the same direction as the arrow shown on the Front Blade Guard (11).** (See Figure F.)

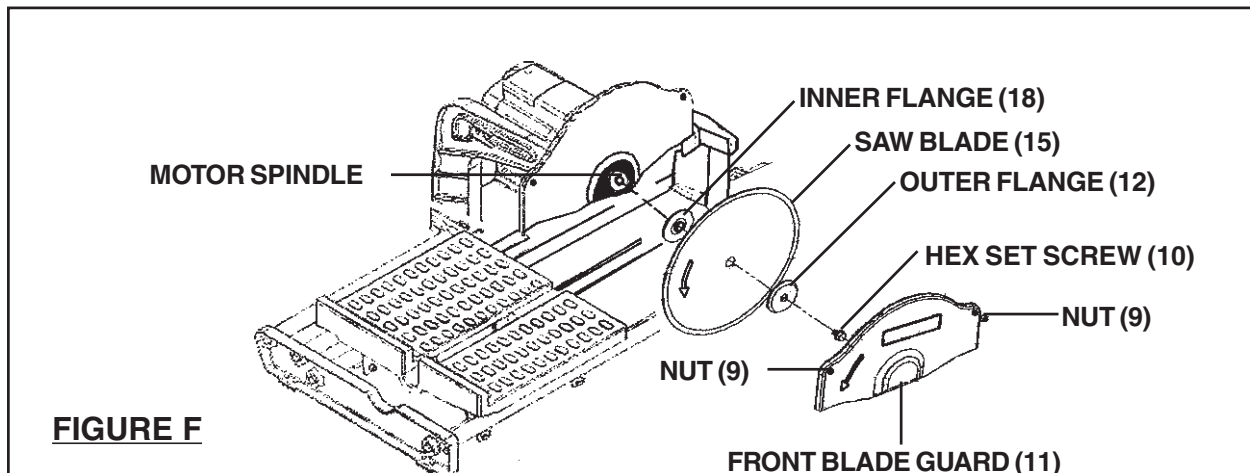





FIGURE F

4. Once the Saw Blade (15) has been inserted on the Motor Spindle, insert the Outer Flange (12) on the Motor Spindle. Then, screw the Hex Set Screw (10) firmly back into the Motor Spindle to secure the Saw Blade in place.
(See Figure F.)
5. Reinstall the Front Blade Guard (11), and secure it in place using the two Nuts (9). **(See Figure F.)**

OPERATING INSTRUCTIONS

1.  **WARNING!** Always wear safety impact eye goggles and heavy work gloves when using the Masonry Saw. Using personal safety devices reduce the risk for injury.
2. Place the Masonry Saw on a flat, level, sturdy surface capable of supporting the weight of the Saw and all workpieces.
3. Unlock the Table Lock (25) to allow the Table (27) to freely slide forward and backward. **(See Assembly Diagram.)**
4. Make sure the Power Switch (20) of the Masonry Saw is in its “**OFF**” position. Then, plug the Power Cord Plug (22) into the nearest 120 volt, grounded, electrical outlet. **(See Assembly Diagram.)**
5. Pull the Table (27) backward away from the Saw Blade (15). Then, place the workpiece on the Table and align the cut line on the workpiece with the Saw Blade. Make sure the workpiece to be cut is pressed firmly against the Table. **(See Assembly Diagram.)**
6. Turn the Power Switch (20) of the Masonry Saw to its “**ON**” position, and allow the Saw Blade (15) to spin up to full speed. **(See Assembly Diagram.)**
7. While holding the workpiece firmly with one hand, use the other hand to push the Table (27) slowly forward to feed the workpiece into the Saw Blade (15). **Always keep hands and fingers a safe distance away from the spinning Saw Blade. (See Assembly Diagram.)**
8. Continue *slowly* feeding the workpiece into the Saw Blade (15) until the cut is completed. **(See Assembly Diagram.)**
9. Once the cut is completed, turn the Power Switch (20) to its “**OFF**” position and allow the Saw Blade (15) to spin down and stop on its own. **(See Assembly Diagram.)**
10. Unplug the Power Cord Plug (22) of the Masonry Saw from its electrical outlet. Then, remove the cut workpiece and debris from the Table (27). **(See Assembly Diagram.)**
11. Lock the Table Lock (25) to secure the Table (27) in place. Then, store the Masonry Saw in a clean, dry, safe location out of reach of children and other unauthorized people. **(See Assembly Diagram.)**

INSPECTION, MAINTENANCE, AND CLEANING

1.  **WARNING!** Make sure the Power Switch (20) of the Masonry Saw is in its “**OFF**” position and the tool is unplugged from its electrical outlet before performing any inspection, maintenance, or cleaning procedures.
2. **Before each use**, inspect the general condition of the Masonry Saw. Check for loose screws, misalignment or binding of moving parts, cracked or broken parts, damaged electrical wiring and any other condition that may affect their safe operation. If abnormal noise or vibration occurs, have the problem corrected before further use. **Do not use damaged equipment.**
3. **Before each use**, inspect the Saw Blade (15). Using a dull Saw Blade will cause excessive wear on the Motor of the Masonry Saw and will not produce a satisfactory cut. Replace with a new Saw Blade when needed. **(See Figure F.)**
4. **To clean the exterior parts of the Masonry Saw**, use only a clean cloth and mild detergent to clean the body of the Saw. Use a vacuum to clean the Motor ventilation slots located on the Motor Rear Cover (24). **Do not immerse any electrical part of the tool in any liquids.**
5.  **CAUTION!** All maintenance, service, or repairs not mentioned in this manual must only be performed by a qualified service technician.

PLEASE READ THE FOLLOWING CAREFULLY

THE MANUFACTURER AND/OR DISTRIBUTOR HAS PROVIDED THE PARTS LIST AND ASSEMBLY DIAGRAM IN THIS MANUAL AS A REFERENCE TOOL ONLY. NEITHER THE MANUFACTURER OR DISTRIBUTOR MAKES ANY REPRESENTATION OR WARRANTY OF ANY KIND TO THE BUYER THAT HE OR SHE IS QUALIFIED TO REPLACE ANY PARTS OF THE PRODUCT. IN FACT, THE MANUFACTURER AND/OR DISTRIBUTOR EXPRESSLY STATES THAT ALL REPAIRS AND PARTS REPLACEMENTS SHOULD BE UNDERTAKEN BY CERTIFIED AND LICENSED TECHNICIANS, AND NOT BY THE BUYER. THE BUYER ASSUMES ALL RISKS AND LIABILITY ARISING OUT OF HIS OR HER REPAIRS TO THE ORIGINAL PRODUCT OR REPLACEMENT PARTS THERETO, OR ARISING OUT OF HIS OR HER INSTALLATION OF REPLACEMENT PARTS THERETO.

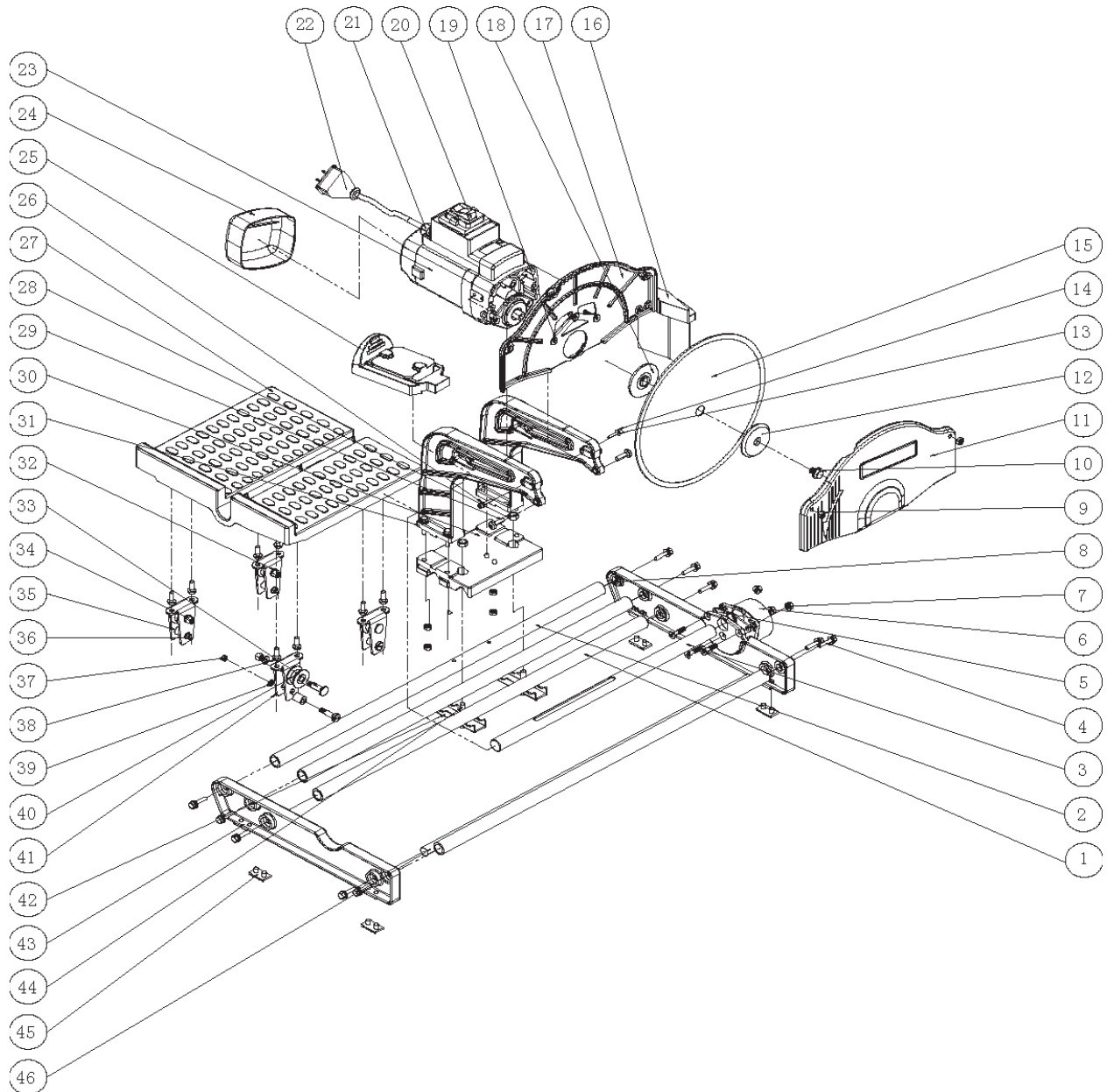
PARTS LIST

Part #	Description	Qty.	Part #	Description	Qty.
1	Connection Bar	3	24	Motor Rear Cover	1
2	Base Frame Bar	1	25	Table Lock	1
3	Dust Collection Pipe	1	26	Spacer (M4)	2
4	Screw/Spacer Assy.	14	27	Table	1
5	Dust Pipe Flange	1	28	Nut (M8)	2
6	Shop Vac Connector	1	29	Square Neck Screw	2
7	I-Shape Hex Nut	3	30	Bracket Base	1
8	Rear Frame	1	31	Motor Support Bracket	2
9	Nut (M6)	6	32	Spacer (M6)	7
10	Hex Set Screw (M8x12)	1	33	Wheel Pin	4
11	Front Blade Guard	1	34	Lock Nut (M6)	4
12	Outer Flange	1	35	Wheel Lock	4
13	Spring Spacer (GB93 M4)	2	36	Eccentric Pin	4
14	Set Screw (M4x20)	2	37	Lock Nut (M6)	4
15	Saw Blade	1	38	Screw (M6x16)	8
16	Water Stopper	1	39	Spacer (M5)	4
17	Back Blade Guard	1	40	Wheel	4
18	Inner Flange	1	41	Wheel Frame	4
19	Set Screw (M6x20)	6	42	Frame Base Clamp	2
20	Power Switch	1	43	Front Frame	1
21	Wire Connector	1	44	Set Bolt (M8x35)	2
22	Power Cord Plug	1	45	Rubber Foot	4
23	Motor Assy.	1	46	Guide Bar	2

NOTE:

Some parts are listed and shown for illustration purposes only,
and are not available individually as replacement parts.

ASSEMBLY DIAGRAM



NOTE:

Some parts are listed and shown for illustration purposes only, and are not available individually as replacement parts.